

## 3300 Conventional Fire Alarm Control Panel

- Fully Compliant with EN54 Parts 2 & 4
- Choice of 4 or 8 Zones
- Manual or Automatic Device Indication
- Zone Delays
- Coincidence Detection
- Fire Link Delay
- Non-latching Zones
- Zone Disables
- Alarm Disables
- Fire Link Disablement
- User Walk Test



Fire Detection - Non Addressable

## 3300 Technical Specification

<b>Power Supply Mains</b>	230V AC. Nominal ( ± 10%).	<b>Maximum Quiescent Zone Load</b>	1.5mA per zone.
<b>Integral Charger</b>	1A switch mode, temperature compensated.	<b>Maximum Number of Detectors</b>	20 per zone (smoke or heat).
<b>Auxiliary 24V output</b>	24V DC, 100mA max.	<b>Maximum Number of Devices</b>	32 (MCP and Dets) per zone.
<b>Maximum Battery Size</b>	2 x 12V 3.3Ah.	<b>MCP Series Resistor Value</b>	180Ω ± 5%.
<b>Mains Fuse</b>	1A HRC ceramic 20mm.	<b>Number of Alarm Circuits</b>	4.
<b>Battery Fuse</b>	1.6A F 20mm.	<b>Alarm Circuit End Of Line Value</b>	10kΩ 1/4W ± 5%.
<b>Working Voltage</b>	20V to 30V DC.	<b>Maximum Alarm Load</b>	150mA per circuit.
<b>Current Consumption</b>	15mA (24V DC) + Zone Load.	<b>Class Change Input</b>	Activates alarm outputs.
<b>Number of Detector Zones</b>	4 or 8 depending on the model purchased.	<b>Remote Alarm Input</b>	Activates alarm outputs, internal buzzer and general fire indicator.
<b>Maximum Zone Cable Length</b>	500 metres.	<b>Global Fault Contacts</b>	24V DC 1 A rating.
<b>Maximum Zone Cable Capacitance</b>	0.27µF.	<b>Global Fire Contacts</b>	24V DC 1 A rating.
<b>Maximum Zone Cable Resistance</b>	15Ω per conductor.	<b>Expansion Port Communications</b>	2 wire Data + 2 wire Power.
<b>Detector Circuit EOL Values</b>	Resistive (8.2kΩ) or capacitive (100µF/22Ω).	<b>Temperature Range</b>	0 to 40 Degrees Centigrade.
		<b>Humidity Limit</b>	85% Non-Condensing.

The 3300 series of conventional control panels has been designed to provide a simple, user-friendly solution, with inbuilt flexibility previously only found in more complex addressable systems. With a choice of 4 or 8 detection zones the 3300 panel is ideal for small to medium sized buildings such as Industrial Units, Retail Units, Shops, Schools, ...

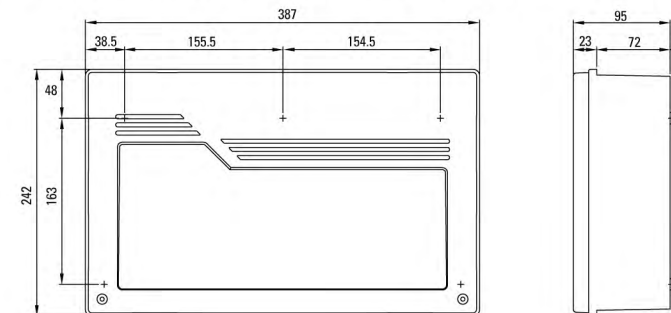
All 3300 panels can be either surface or recessed mounted, with the controls and indications protected from unauthorised access by entering a user access code. The functions include clearly labelled silence, reset, buzzer mute and sound alarms push buttons along with additional facilities such as zone test, zone disablement, alarm disablement, delay disablement and fire link disablement.

A particular feature of the 3300 Panel, is the ability to identify if a 'FIRE' signal has been generated manually by a person activating a manual call point (MCP) or automatically from a detector. This knowledge enables an appropriate cause and effect sequence to be implemented such as time delays to allow for alarm verification for automatic detectors, but immediate alarms from MCP's. Cause and effect functions include coincidence detection, zone delays and/or fire link delay.

Interconnection with other systems is simplified as zones can be configured as 'non-latching', and there are dedicated 'remote alarm input' and 'class change input' terminals. Up to 8 repeater panels can be connected to the 3300 panel on a serial communication link.

The 3300 fire alarm control panel complies with EN54 parts 2 and 4.

### 3304, 3308 Fire Alarm Panel, 3300 Fire Alarm Repeat Panel



Dimensions in mm

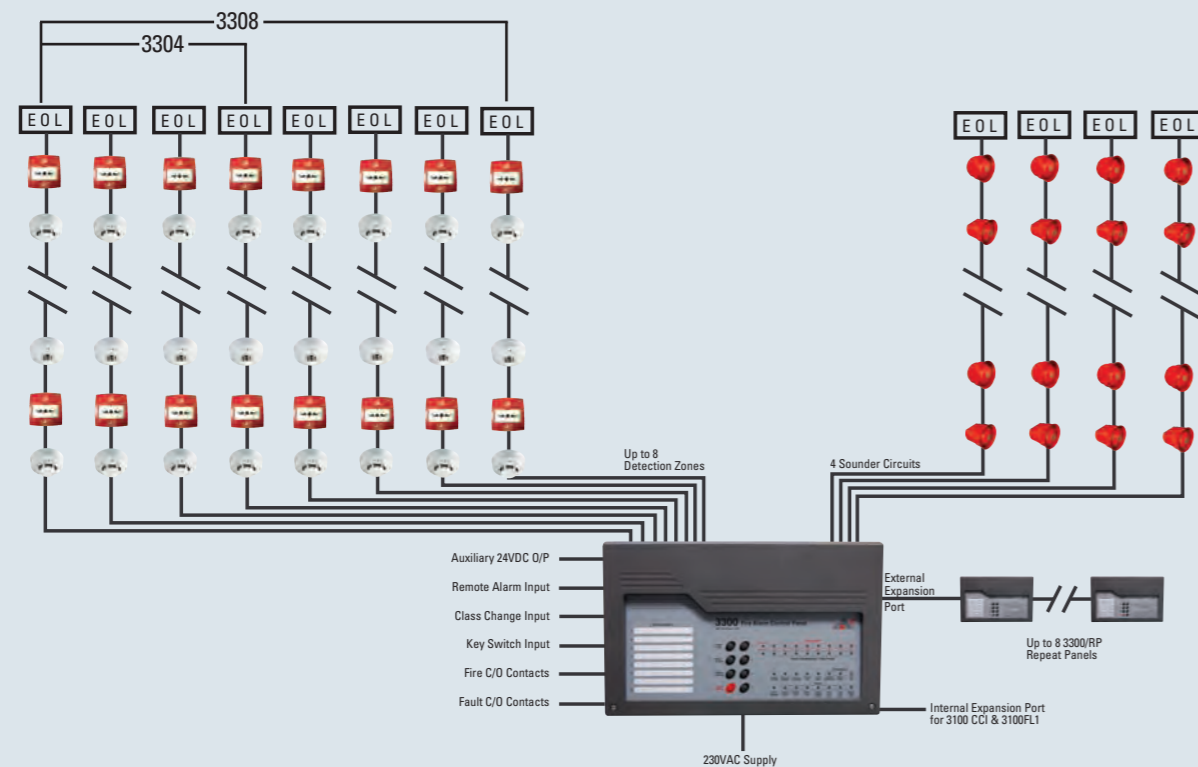
### Model References

3304 4 Zone Fire Alarm Control Panel  
3308 8 Zone Fire Alarm Control Panel  
3300/RP Fire Alarm Repeat Panel



**GENERAL SECURITY SAL**  
CORNICHE DU FLEUVE  
SAPHIR IMMOBILIERE BUILDING  
TEL: (961-1) 447500 - 448002  
(961-3) 326743  
e-mail: gesec@cyberia.net.lb

## 3300 Features



### Detection Zones

- Ability to distinguish between manual or automatic device activation using Protec 3100/MCP manual call points and 3000 series conventional detectors. Up to 20 detectors per zone.
- Delay to Zone Activation  
0 to 10 minutes programmable.
- Coincidence on Zones  
2 or more zones programmable (2 or more zones must activate together to trigger panel). A default time-out is given if only one coincidence zone activates.
- Non-latching Zones  
1 or more zones may be programmed non-latching. Panel resets when cause of the fire is cleared. Global fire and optional fire link outputs do not activate.
- Zone Disabling  
1 or more zones can be disabled to prevent faults and activations.
- Zonal Test  
1 or more zones. When triggered operates alarm outputs for 4 seconds, then resets panel. Only one zone at a time can be tested by the user.

### Outputs

- 4 Alarm Circuits, each rated at 150mA. Circuits 1&2 and/or 3&4 can be linked together to each provide a 300mA rated circuit. Total alarm load 600mA.
- Alarm Disabling  
Alarm circuits 1 / 2 and 3 / 4 can be disabled to prevent them from activating or displaying faults.
- A Global Fire Contact and Global Fault Contact are provided, each rated at 24V DC 1A.
- External Expansion Port  
Up to 8 Repeat Panels can be connected on the external expansion port to provide full panel display and user operating functions.
- Internal Expansion Port. Used for the connection of optional additional devices such as the monitored Fire Link Interface and Clean Contact Interface.
- Fire Link Disabling  
The optional fire link interface can be disabled to prevent faults and activations.
- Fire Link Delay  
The optional fire link interface can be set to have an activation delay.

### Functionality

The following functions can be performed by the user when entering the user access code.

- Silencing an alarm condition
- Sounding the alarms
- Resetting the panel after an alarm activation
- Testing the front panel indications and buzzer
- Programming a zone into test mode (only one zone at once in user mode)
- Disabling of detector circuits
- Disabling of alarm circuits
- Disabling of any programmed delays
- Disabling of the optional fire link interface

## 3300 Optional Equipment

### KEY



3000/OPHT



3000/OP



3000/ION



3000/TEMP64



3000/MCP



3000/SSR2



B6D024



**3300/RP Repeat panel**

The 3300/RP Repeat Panel mimics all the indications and user functionality of the main panel as detailed previously. A maximum of 8 repeat panels can be connected to the 3300 panel using the external expansion port communications using 4 core screened cable +24V DC, 0V, Data+ and Data-.



**3100CCI Zonal Clean Contact Interface**

The 3100CCI provides a clean contact output per zone and can be configured (using on board DIL switches) to operate the relevant contacts on automatic zone activations, manual zone activations, any zone activations or any zone faults. To allow differentiation between manual or automatic zone activations, Protec 3000/MCP manual call points must be fitted.



**3100FLI Fire Link Interface**

The 3100FLI provides an open and short circuit monitored fire link, when used in conjunction with a 3100 Fire Link EOL PCB (WEFA348). The EOL device has a single pole clean changeover contact, rated at 1A 24V DC. Fire Link delay time can be enabled on the main panel and set-up locally on the 3100/FLI, between 0 and 10 minutes.

### Technical Specification:

	3300/RP	3100CCI	3100FLI
Supply Voltage	20V to 30V DC	20V to 30V DC	20V to 30V DC
Quiescent Current	11mA	8.5mA	6mA
Maximum Current	25mA	75mA	30mA
Maximum Clean Contact Rating	N/A	1A @ 24V DC	1A @ 24V DC
Maximum No Per Panel	8	1	1
Serial Communications	2 wire (plus power) 3100V1 Protocol		