

Maestro

M A E S T R O





Comelit[®]
Inventing Innovation

With more than fifty years of experience and commitment to innovation, Comelit designs and manufactures the ultimate in video door entry CCTV, security and domestic automation systems on the market. Comelit, an international organisation with the entrepreneurial vitality and customer relations typical of a global company. Comelit products are available in more than 70 countries worldwide via the company's local technical and sales networks, and feature the guaranteed quality resulting from our avantgarde technological research, continual process and application optimization and our hallmark Italian design.

Maestro

M A E S T R O

Designer style with compact technology. Comelit's innovative Maestro video monitor is the perfect marriage of style and functionality. An avantgarde solution made for the modern lifestyle, featuring outstanding practicality and elegance.



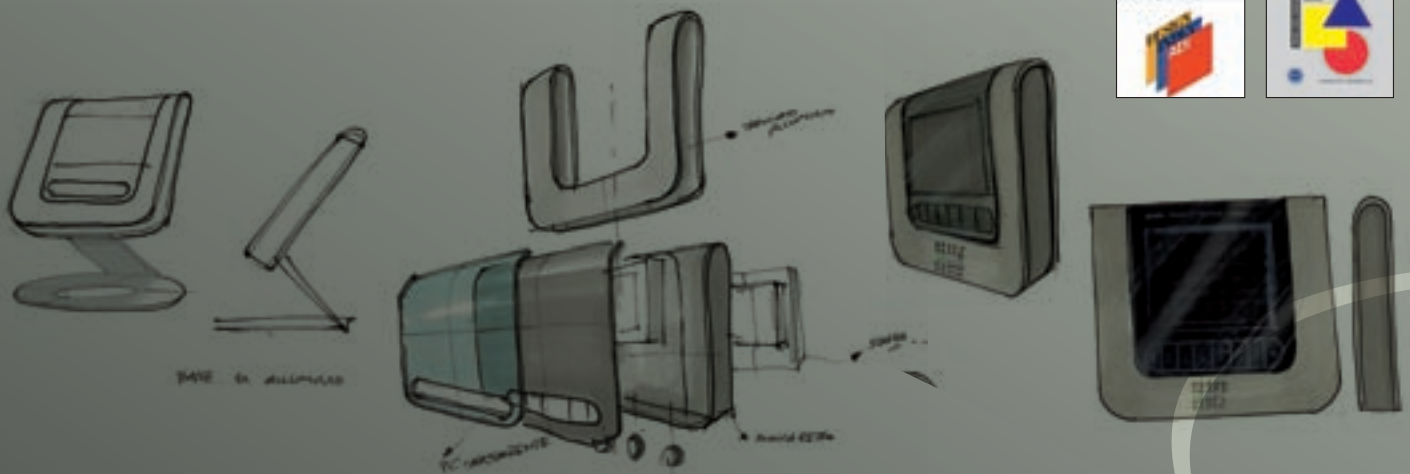
Metropolitan
avantgarde

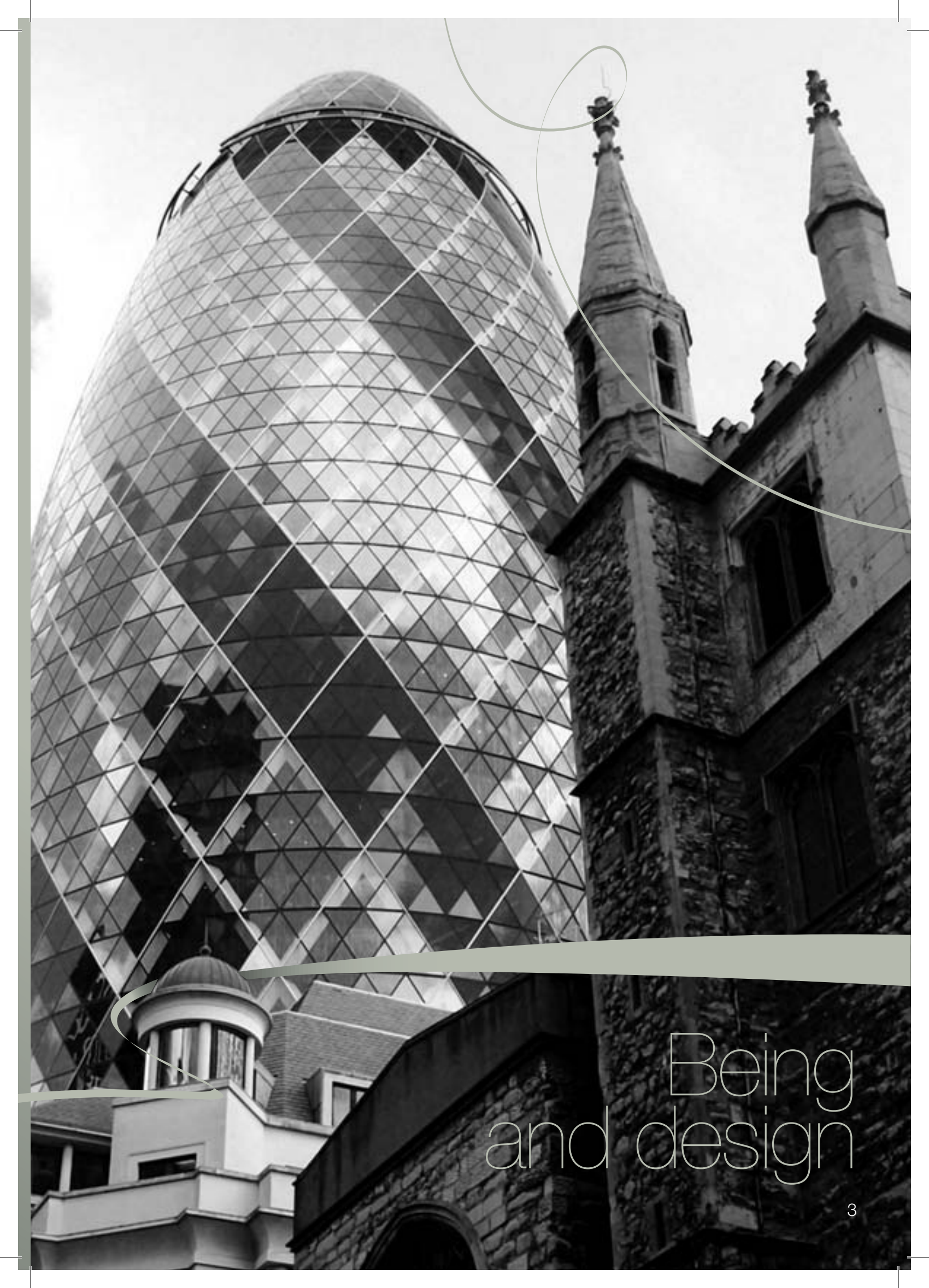


Maestro

Form, style and character. Born of Comelit's wish to give a concrete expression to high technical quality, a design where every detail has been considered, ideal for any futuristic context.

Awarded the Innovation and Design Award at the last Livin Luce trade fair and selected for the ADI Index 2007 Compasso d'Oro prize, Maestro was conceived to express the vitality, fascination and prestige of the metropolitan lifestyle.

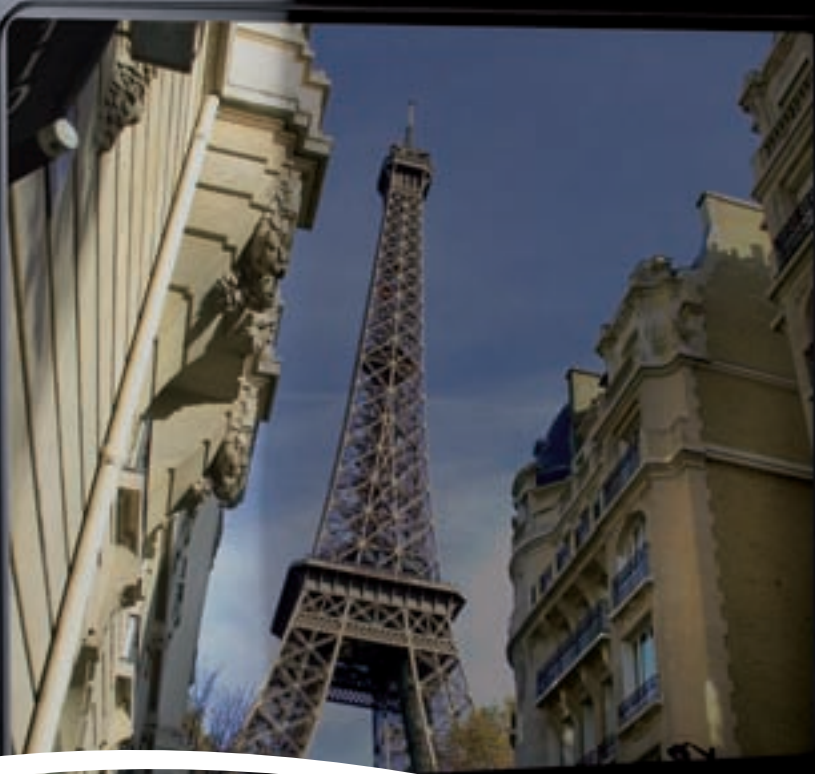





Being
and design

Maestro

With its ultra thin 5.6 inch high definition monitor, eight microswitch buttons, with audio, ringtone volume, brightness and colour adjustments, Maestro is a symbolic expression of the technological revolution. An outstanding solution in both technique and materials. Bringing tomorrow to you, today.



 Comelit

The technological revolution

A single technology in two versions





All the elegance and discreteness of the ultra thin screen in two solutions to meet any aesthetic requirement: the surface mounted version, simple to install and the desk top version with plinth coordinated with the monitor itself.

Silver & Black

Two colours, two styles - two strong characters.

The Silver version, a modern, fashionable status symbol for its owner. The Black version, bringing elegance into your home.



Thanks to the 2-wire SimpleBus technology - a Comelit innovation - the Maestro video entry phone provides an intercom mode, half-duplex handsfree operation, multiple users for each system and CCTV video-surveillance.

All this and more, ideally suited to any futuristic context without the problems of masonry work for the installation of wires between the internal and external wires.



SIMPLEBUS
COLOR

Maestro



Less wires,
more options

■ **YELLOW LED**
 Various signals

■ **BLUE LED**
 Audio active

■ **GREEN LED**
 Audio direction

■ **RED LED**
 Privacy, doctor System engaged

Microphone

Ultra thin 5.6" high definition colour screen

All pushbuttons can be programmed with programmer art. 1251/A which allows the various functions to be set. Button n. 5 can be free with a N.O contact

Speak/Listen

Door opener

Loudspeaker

Button to activate/disable audio after a call

Audio volume control

Ringtone volume control

Brightness adjustment

Colour adjustment

Privacy/doctor function activate/disable button



The Maestro of functionality

Maestro



5900G Maestro Silver Monitor

Colour monitor with 5.6" high-resolution display. Made in ABS with aluminium fascia, half-duplex handsfree function with audio, ringtone, colour and contrast controls. Fitted with 1 door-opening pushbutton, 1 audio pushbutton, 1 pushbutton for the privacy function and 5 pushbuttons for a variety of functions.

The monitor converts into the desktop version with art. 5912.

Dimensions: 185x185x38mm



5900B Maestro Black Monitor

Colour monitor with 5.6" high-resolution display. Made in ABS with aluminium fascia, half-duplex handsfree function with audio, ringtone, colour and contrast controls. Fitted with 1 door-opening pushbutton, 1 audio pushbutton, 1 pushbutton for the privacy function and 5 pushbuttons for a variety of functions.

The monitor converts into the desktop version with art. 5912.

Dimensions: 185x185x38mm



5914C Simplebus Color bracket for Maestro monitor

Bracket for Simplebus Color system, required for Maestro monitor. Handles local floor calls and call repetition as standard. Maestro pushbuttons 1 to 5 can be programmed with programmer art. 1251/A which allows the various functions to be set. 1 button can be free with a N.O contact on the terminal block. Equipped with LED input for a variety of signals.

Dimensions: 116 x 110 x 19 mm



5914CI Bracket for Simplebus Color with intercom function for Maestro monitor

Bracket for Simplebus Color system with intercom function, required for Maestro monitor. Handles local floor calls and call repetition as standard. Maestro pushbuttons 1 to 5 can be programmed with programmer art. 1251/A which allows the various functions to be set. 1 button can be free with a N.O contact on the terminal block. Equipped with LED input for a variety of signals.

Dimensions: 116 x 110 x 19 mm



5912 Desk base for Maestro monitor

Desk base converts the Maestro monitor into the desktop version.

Complete with 2 m of cable and connection box

Dimensions: 180 x 180 x 180 mm

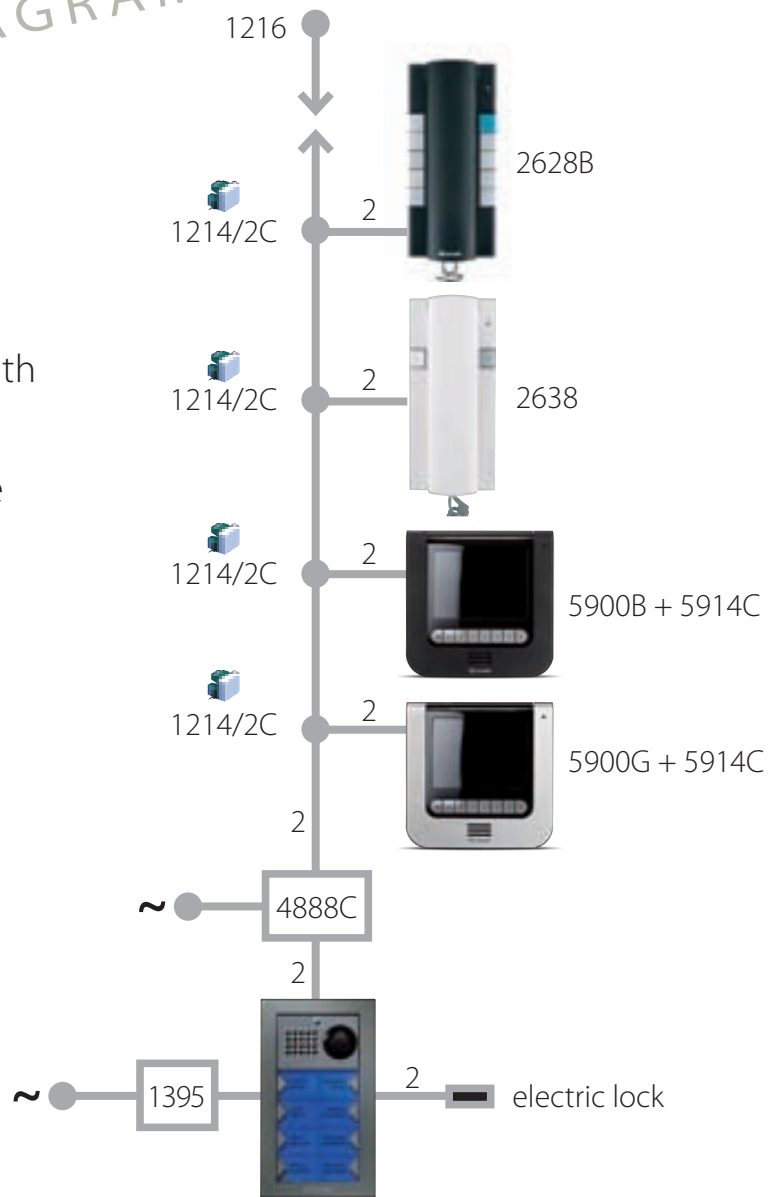
The accessories are standard products of the Simplebus color system

PRODUCTS

SYSTEM DIAGRAM

Video door entry system with SIMPLEBUS COLOR cabling, comprising:

- one audio/video entrance
- one audio/video riser



no. users	3110/1	3110/2	3110/3	3311/1*	3311/2*	3311/3*	3321/0	3321/1	3321/2	3323/3	3323/4	3323/6	3326	4660C	1395	4888C	5914C	5900G	5900B
1	1			1				1						1	1	1	1	1	1
2	1			1					1					1	1	1	2	2	2
3		1			1		1			1				1	1	1	3	3	3
4		1			1		1				1			1	1	1	4	4	4
5-6		1			1		1					1		1	1	1	5-6	5-6	5-6
7-8		1			1				1			1		1	1	1	7-8	7-8	7-8
9-10			1			1	1				1	1		1	1	1	9-10	9-10	9-10
11-12			1			1	1					2		1	1	1	11-12	11-12	11-12
13-14			1			1			1			2		1	1	1	13-14	13-14	13-14
15-16		2			2		1				1	2		1	1	1	15-16	15-16	15-16
17-18		2			2		1					3		1	1	1	17-18	17-18	17-18
19-20		2			2				1			3		1	1	1	19-20	19-20	19-20
21-22			2			2	1				1	3	1	1	1	1	21-22	21-22	21-22
23-24			2			2	1					4	1	1	1	1	23-24	23-24	23-24
25-26			2			2			1			4	1	1	1	1	25-26	25-26	25-26
27-28			2			2	1				1	4		1	1	1	27-28	27-28	27-28
29-30			2			2	1					5		1	1	1	29-30	29-30	29-30
31-32			2			2			1			5		1	1	1	31-32	31-32	31-32
33-34			3			3	1				1	5	2	1	1	1	33-34	33-34	33-34
35-36			3			3	1					6	2	1	1	1	35-36	35-36	35-36
37-38			3			3			1			6	2	1	1	1	37-38	37-38	37-38
39-40			3			3	1				1	6	1	1	1	1	39-40	39-40	39-40
41-42			3			3	1					7	1	1	1	1	41-42	41-42	41-42
43-44			3			3			1			7	1	1	1	1	43-44	43-44	43-44
45-46			3			3	1				1	7		1	1	1	45-46	45-46	45-46
47-48			3			3	1					8		1	1	1	47-48	47-48	47-48
49-50			3			3			1			8		1	1	1	49-50	49-50	49-50

* The Surface mounted version requires housing art. 3316/1/2/3/4/6/9 depending on the number of modules in the external unit; flush mounting boxes housings art. 3110/1/2/3 are no longer required.

** The module frame is available in the following colours: Grey (3311/G), White (3311/W), Blue (3311/B) and Orange (3311/O)

Maestro kit

Maestrokit is the new video entry kit composed of the Powercom keypad and Maestro, the new elegant and versatile video entry phone, ideal for any residential installation. The kits are available in single and two family versions. In both cases, the privacy and intercom functions are standard features. In order to use the intercom function, the single-family kit must be expanded with one or more additional entry phones/monitors. The basic kit can be expanded to include up to 2 external units and 3 monitors per residential unit. The entry phones and monitors are standard products from the Simplebus family

Art. 8493G

Art. 8493B



Art. 5900B

Art. 5900G

SINGLE-FAMILY KIT



Art. 5900B



Art. 5900G



Art. 5914KC



Art. 1205/B



Art. 1214KC



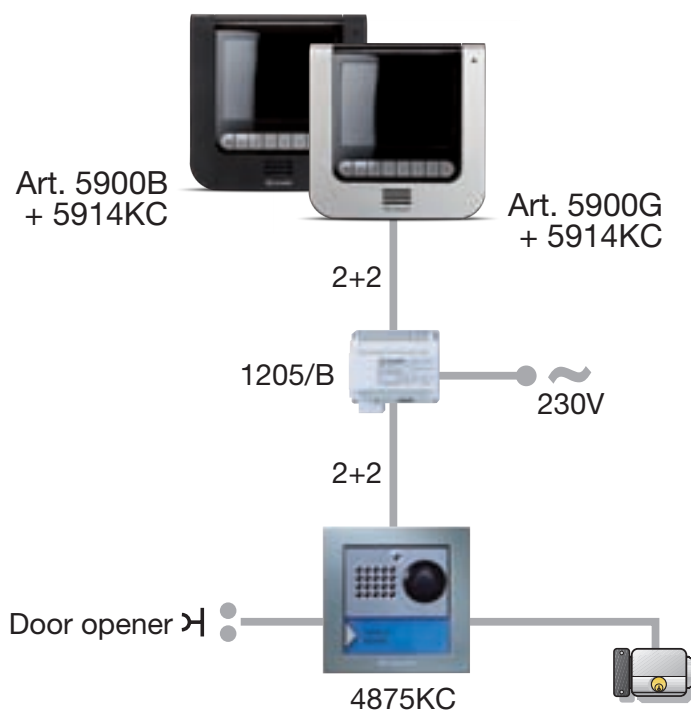
Art. 1216



Art. 4875KC

Art. 5900B + 5914KC

Art. 5900G + 5914KC



Art. 8494G

Art. 8494B

TWO-FAMILY KIT INTERCOMMUNICATING



Art. 5900G

Art. 5900B



Art. 5914KC



Art. 1205/B



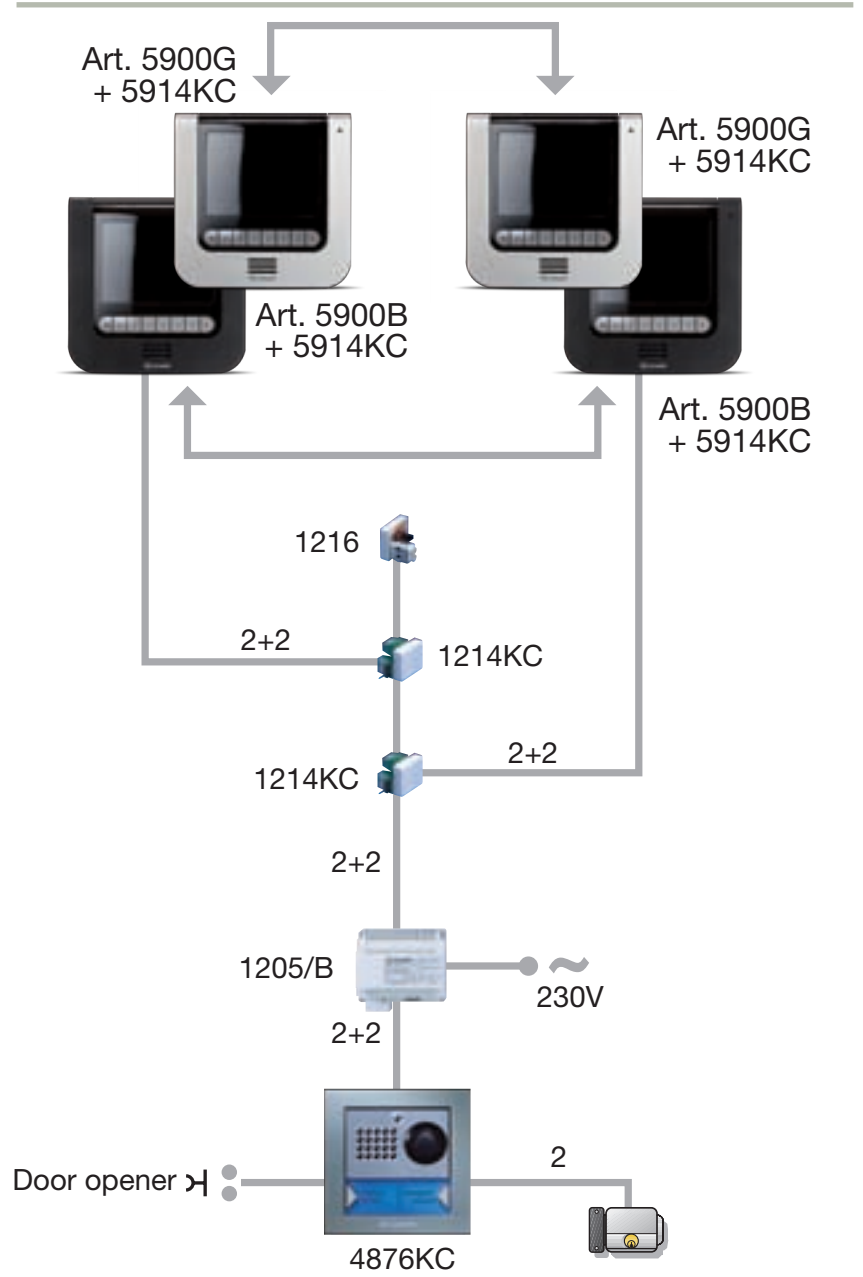
Art. 1214KC



Art. 1216



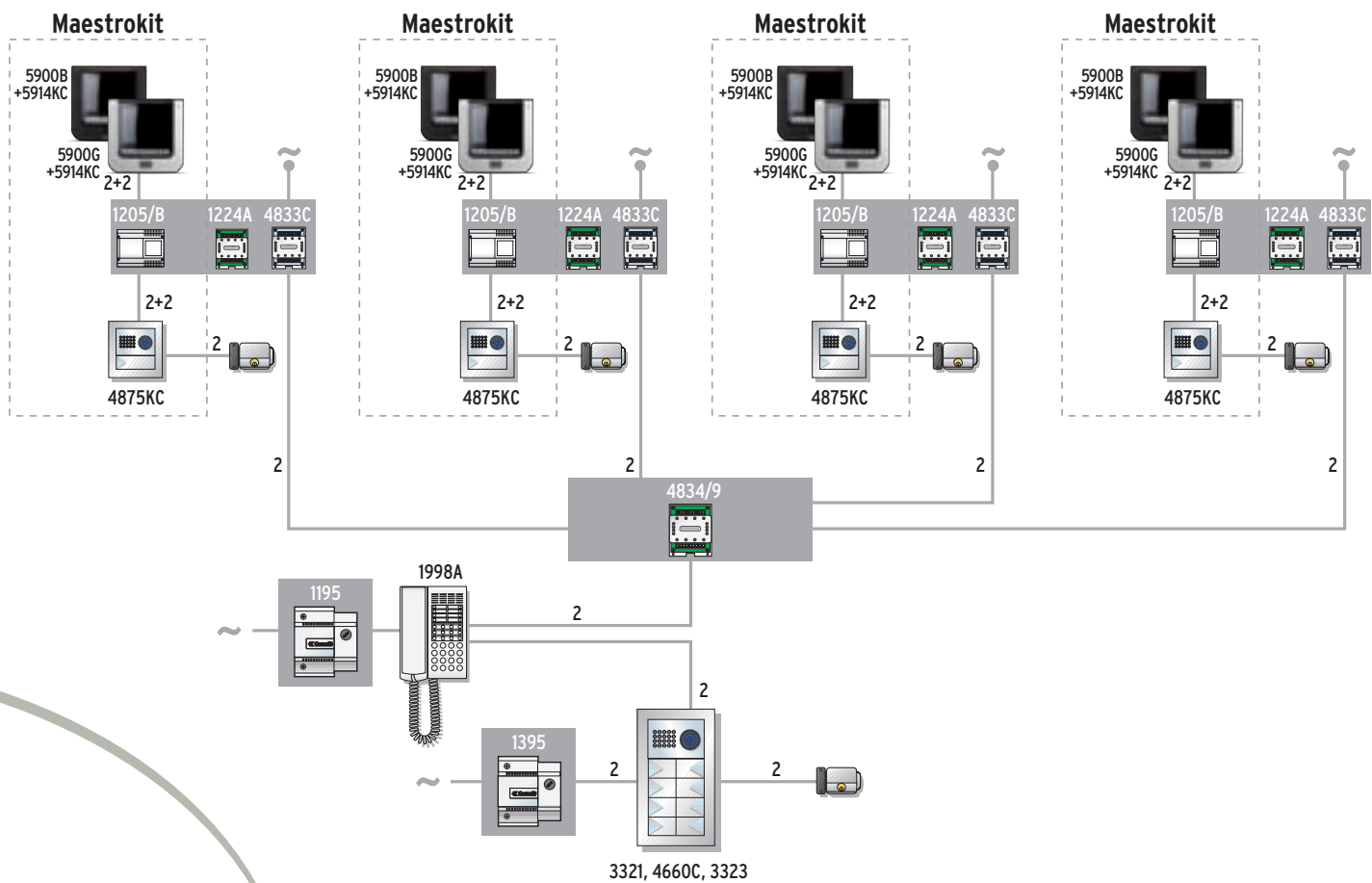
Art. 4876KC

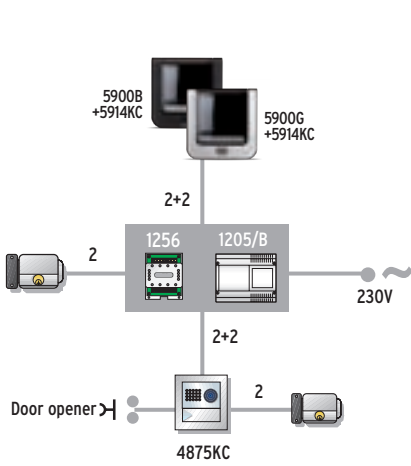


Maestrokit

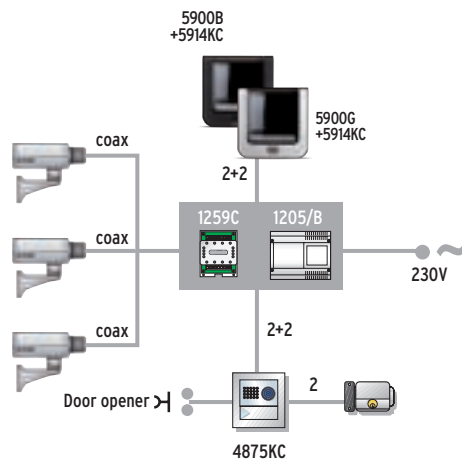
VARIANT DIAGRAMS

Maximum versatility for system solutions: with one main external unit it is possible to connect a number of single-family and/or two-family Maestrokits as secondary external units up to a maximum of 30 users. This makes for considerable savings in installation costs. A porter switchboard can also be combined with the system.

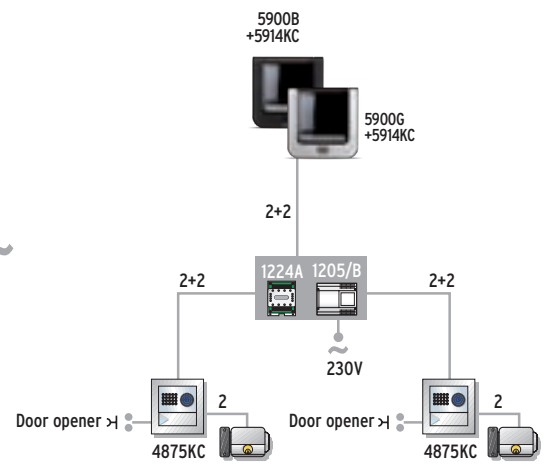




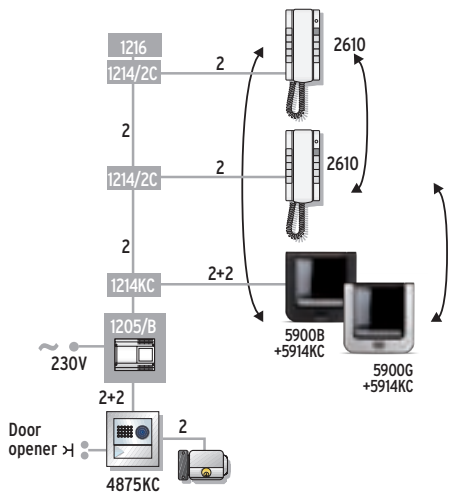
Variant with additional lock for single-family kit



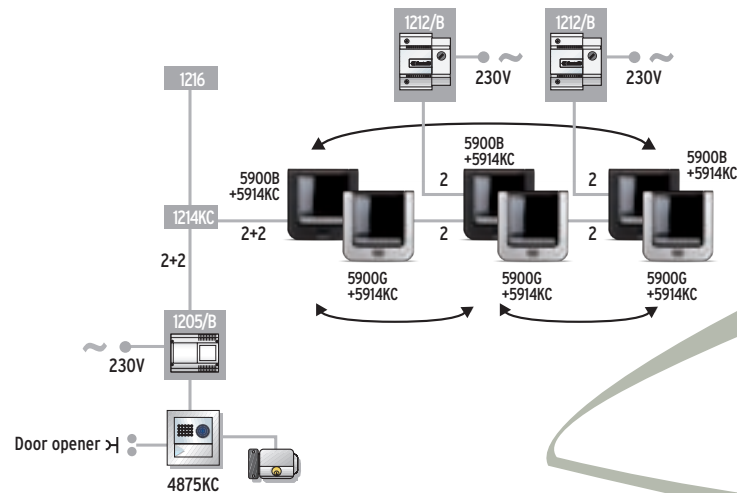
Variant with additional cameras for single-family kit



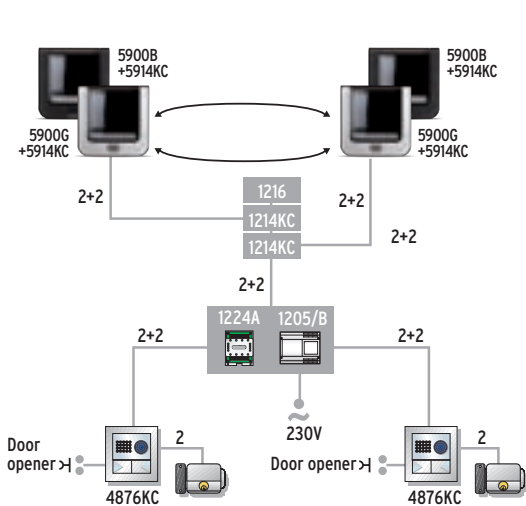
Variant with second entrance for single-family kit



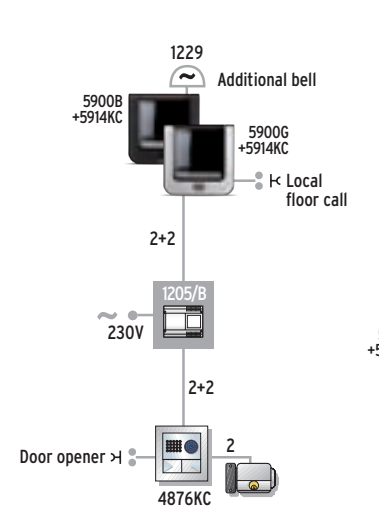
Variant with two additional entry phones for single-family kit



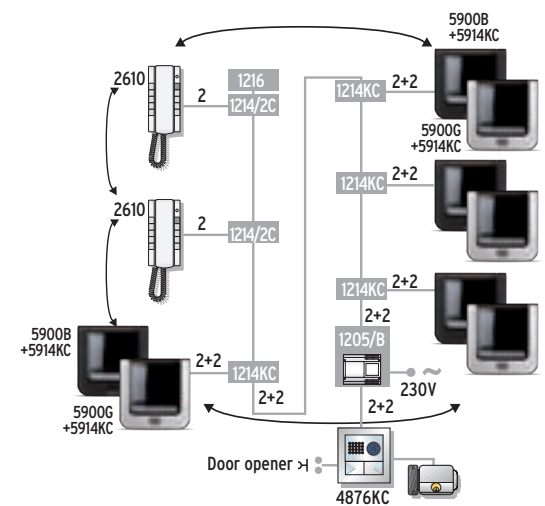
Variant with two additional monitors for single-family kit



Variant with second entrance for two-family kit



Variant with floor door call connection and additional bell for single and two-family kit



Variant with two additional monitors or entry phones for two-family kit

Maestro kit

ACCESSORIES



3312/1 Rain shield for Powercom keypad

Rain shield for Powercom keypad.
No. modules: 1 - Dimensions: 135x135.5x60 mm



3316/1 Surface-mounted housing

Stainless steel surface-mounted housing. 1 module.
Dimensions 123x123x32.5 mm.



3319/1 Surface-mounted housing with rain roof for Powercom keypad

Surface-mounted housing with rain roof for Powercom keypad. No. modules: 1
Dimensions: 135x135x91 mm



4875KC Additional external unit with 1 push-button

External unit, with 1/3" CCD colour camera, white LED lighting, microphone and loudspeaker volume control, aluminium call pushbutton with name label. Complete with die-cast aluminium module frame and flush-mounted box.



4876KC Additional external unit with 2 push-buttons

External unit, with 1/3" CCD colour camera, white LED lighting, microphone and loudspeaker volume control, aluminium call pushbutton with name label. Complete with die-cast aluminium module-holder frame and flush-mounted box.



4660KC A/V unit with camera

A/V unit with 1/3" CCD colour camera, white LED lighting, microphone and loudspeaker volume control.



3328/PK Powercode kit

External units can be equipped with this electronic key that allows the access door to be opened by entering an 8-digit secret code programmed by the resident. The article comprises an electronic coded key module with 2 relays art. 3328, a flush-mounted box art. 3110/2 and a frame art. 3311/2G.



1224A Switching device for Simplebus audio or audio-video systems

Switching device for audio or audio-video systems with 2 or more entrances. Complete with 2 DIP SWITCHES with 8 positions for setting the user range of the riser. 12V AC power supply (use transformer Art. 1200)
Dimensions: 60x85x35 mm (4 DIN modules).



4833C Line amplifier for Simplebus Color video systems

Amplifier for Simplebus Color video systems This regenerates the video component of the riser signal. Complete with microcontroller for optimal operation management. Follow the operating instructions in the technical documentation. Power supply: 12V AC or 20V DC.

Dimensions: 66x85x35 mm (4 DIN modules).



1122/A Relay for general uses 12-24V DC-AC

(4 DIN modules)
12/24V DC-AC 10A relay for general uses.
Dimensions: 66x85x35 mm (4 DIN modules).



1256 Actuator relay

Intelligent device for controlling a 10A relay (on board) for general uses. Follow the indications in the technical documentation for its use and programming. Power supply: 12V AC or 20V DC.

Dimensions: 66x85x35 mm (4 DIN modules).



1259C Switcher for remote cameras

Module which allows modulation and transmission of the video signal coming from 3 colour cameras sequentially together with the image coming from the external unit. Sequential switching of the cameras is possible using the actuator pushbutton of the monitor. Possibility to control private cameras. Power supply 12 V AC or 20 V DC.

Dimensions: 60x85x35 mm (4 DIN modules).



1212/B Power supply for additional monitor

Power supply with 230V AC input, 0-20V DC / 15VA output. The transformer is fitted with internal protection PTC.

Dimensions: 87.5x105x65 mm (5 DIN modules).



1205/B Power feeder

The transformer provides 2 outputs: one to supply the external unit and the electric lock and one to supply the monitor. Dimensions: 105x85x85mm 500mA delayed protection fuse. Terminal board: AC230V mains voltage input ~- AC output for external unit and electric lock + - 20V DC monitor power supply output (6 DIN modules).



5900G Maestro Silver Monitor

Colour monitor with 5.6" high-resolution display. Made in ABS with aluminium fascia, half-duplex handsfree function with audio, ringtone, colour and contrast controls. Fitted with 1 door-opening pushbutton, 1 audio pushbutton, 1 pushbutton for the privacy function and 5 pushbuttons for a variety of functions.

The monitor converts into the desktop version with art. 5912. Dimensions: 185x185x38mm

**5900B Maestro Black Monitor**

Colour monitor with 5.6" high-resolution display. Made in ABS with aluminium fascia, half-duplex handsfree function with audio, ringtone, colour and contrast controls. Fitted with 1 door-opening pushbutton, 1 audio pushbutton, 1 pushbutton for the privacy function and 5 pushbuttons for a variety of functions. The monitor converts into the desktop version with art. 5912. Dimensions: 185x185x38mm.

**5914KC Bracket for Maestro Kit**

Bracket for Simplebus Color system, required for Maestro monitor. Handles local floor calls and call repetition as standard. Maestro pushbuttons 1 to 5 can be programmed. 1 button can be free with a N.O contact on the terminal block. Equipped with LED input for a variety of signals. Dimensions: 116x110x19 mm.

**1214/2C Branch terminal**

Terminal required when expanding the system with an additional entry phone. Dimensions: 20x20x25 mm.

**1229 Additional bell**

Additional bell for call repetition, which can be controlled directly from terminals S- and S+ of the brackets and/or by the entry phones. Surface-mounted or mounted on civil series box 503. Dimensions: 110x75x29 mm.

**2608 Standard version entry phone**

Entry phone with electronic call, conversation button on base, call volume control, conversation privacy, privacy, door opener pushbutton and supplementary pushbutton for porter switchboard call or free (N.O.). By means of a selection jumper, the second pushbutton can be used to control actuator art. 1256. Allows local floor calls and call repetition. Complete with dip-switch with 8 positions for selection of the desired user code. With this model, it is not possible to add supplementary pushbuttons or LEDs. Dimensions: 95x215x58 mm.

(Terminal 1214/2C is not supplied with the unit).

**2628 Elegance version entry phone**

Entry phone with electronic call, conversation button on base, call volume control, privacy function, and conversation privacy. Fitted with door opener pushbutton, switchboard call, control of actuator art. 1256 and free output (N.O.). Up to 6 supplementary pushbuttons may be added, of which 3 may have LEDs. Allows management of the local floor call and call repetition. Complete with dip-switch with 8 positions for selection of the desired user code. Entry phone to be used in mixed audio/video systems (Simplebus 1 and Simplebus 2) or in audio systems when the call repetition function is required. Fitted with terminal 1214/2C. The fascia can be changed on this model. Dimensions: 95x215x58 mm.

**2628B Black elegance version entry phone**

Entry phone with electronic call, conversation button on base, call volume control, privacy function, and conversation privacy. Fitted with door open pushbutton, switchboard call, control of actuator art. 1256 and free output (N.O.). Up to 6 supplementary pushbuttons may be added, of which 3 may have LEDs. Allows management of the local floor call and call repetition. Complete with dip-switch with 8 positions for selection of the desired user code. Entry phone to be used in mixed audio/video systems (Simplebus 1 and Simplebus 2) or in audio systems when the call repetition function is required. Fitted with terminal 1214/2C. The fascia can be changed on this model. Dimensions: 95x215x58 mm.

**2610 Elegance version entry phone with privacy/doctor function and intercom service**

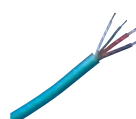
Entry phone with electronic call, conversation button on base, call volume control, conversation privacy, privacy. Fitted as standard with door opener, switchboard call, control for actuator Art. 1256 and LEDs for various functions (engaged and doctor function). Up to 6 supplementary pushbuttons may be added, of which 3 may have LEDs. Allows local floor calls and call repetition. Complete with dip-switch with 8 positions for selection of the desired user code. Entry phone for use in mixed Simplebus 1, Simplebus 2 audio/video systems or with the Bravokit/Divakit kits. In this case, the entry phone is equipped with an intercom function. Fitted with branch terminal art. 1214/2C. The fascia can be changed on this model. Dimensions: 95x215x58 mm.

**4576/100 Comelit cable for Simplebus 1 systems (100m)**

Specific cable for Simplebus 1 systems consisting of two power supply conductors (1.5 mm²) and a small telephone braid for the signals. 100m coil.

4576/500 Comelit cable for Simplebus 1 systems (500m)

Specific cable for Simplebus 1 systems consisting of two power supply conductors (1.5 mm²) and a small telephone braid for the signals. 500m coil.

**4578/100 Comelit cable for Simplebus 1 systems (100m)**

Specific cable for outdoors for Simplebus systems 1 consisting of two power supply conductors (1.5 mm²) and a small telephone braid for the signals. 100m coil.

4578/500 Comelit cable for Simplebus 1 systems (500m)

Specific cable for outdoors for Simplebus systems 1 consisting of two power supply conductors (1.5 mm²) and a small telephone braid for the signals. 500m coil.







[B] Comelit Group Belgium

Z.3 Doornveld 170
1731 Zellik (Asse)
Tel. +32 (0) 24115099 - Fax +32 (0) 24115097
www.comelit.be - info@comelit.be

[D] Comelit Group Germany GmbH

Brusseler Allee 23- 41812 Erkelenz
Tel. +49 (0) 243190151-23 • +49 (0) 243190151-24
Fax +49 (0) 24319015125
www.comelit.de - info@comelit.de

[E] Comelit Espana S.L.

Josep Estivill 67-69 - 08027 Barcelona
Tel. +34 932 430 376 - Fax +34 934 084 683
www.comelit.es - info@comelit.es

[F] Comelit Immotec

Siège: Parc d'activités Technologiques EUROPARC
3, Allées des Saules - 94042 CRETEIL CEDEX
Tél. +33 (0) 1 43 53 97 97
Fax +33 (0) 1 43 53 97 87
Centre logistique livraisons - commandes
15, Rue Jean Zay - 69800 SAINT PRIEST
Tél. +33 (0) 4 72 28 06 56
Fax +33 (0) 4 72 28 83 29
www.comelit.fr - comelit.NH@wanadoo.fr

[GR] Comelit Hellas

9 Epiru str.
16452 Argiroupolis - Athens Greece
Tel. +30 210 99 68 605-6
Fax +30 210 99 45 560
www.comelit.gr - telergo@otenet.gr

[I] Comelit Piemonte

Str. Del Pascolo 6/E - 10156 Torino
Tel. e Fax +39 011 2979330
www.comelit.eu
gino.brucceri@comelit.it
luca.merlo@comelit.it

[I] Comelit Sud S.r.l.

Via Corso Claudio, 18
84083 Castel San Giorgio (Sa)
Tel. +39 081 516 2021
Fax +39 081 953 5951
www.comelit.eu - info@comelitsud.it

[IRL] Comelit Ireland

Suite 3 Herbert Hall
16 Herbert Street - Dublin 2
Tel. +353 (0) 1 619 0204
Fax +353 (0) 1 619 0298
www.comelit.ie - info@comelit.ie

[NL] Comelit Nederland BV

Aventurijn 220-3316 LB Dordrecht
Tel. +31 (0) 786511201
Fax +31 (0) 786170955
www.comelit.nl
info@comelit.nl

[PRC] Comelit (Shanghai) Electronics Co.,Ltd

5 Floor No. 4 Building No.30
Hongcao Road
Hi-Tech Park Caohejing,
Shanghai, China
Tel. +86-21-64519192/9737/3527
Fax +86-21-64517710
www.comelit.com.cn
comelit@comelit.com.cn

[SG] Comelit Group

Singapore Representative Office
54 Genting Lane,
Ruby Land Complex
Blk 2, #06-01 - Singapore 349562
Tel. +65-6748 8563
Fax +65-6748 8584
office@comelit.sg

[UAE] Comelit Group U.A.E.

Middle East Office
P.O. Box 54433
Dubai U.A.E.
Tel. +971 4 299 7533
Fax +971 4 299 7534
www.scame.ae
scame@scame.ae

[UK] Comelit Group UK Ltd

Unit 4 Mallow Park
Watchmead Welwyn
Garden City Herts
AL7 1GX
Tel: +44 (0)1707377203
Fax: +44 (0)1707377204
www.comelitgroup.co.uk
info@comelitgroup.co.uk

[USA] Comelit Cyrex

250 W. Duarte Rd. Suite B
Monrovia, CA 91016
Tel. +1 626 930 0388
Fax +1 626 930 0488
www.comelitusa.com
sales@cyrexnetworks.com

Comelit Group SpA

Via Don Arrigoni 5 - 24020 Rovetta S. Lorenzo - Bergamo - Italy
Tel. +39 0346 750 011 - Fax +39 0346 71436 - www.comelit.eu - www.simplehome.eu - info@comelit.it

